

# FOCUS

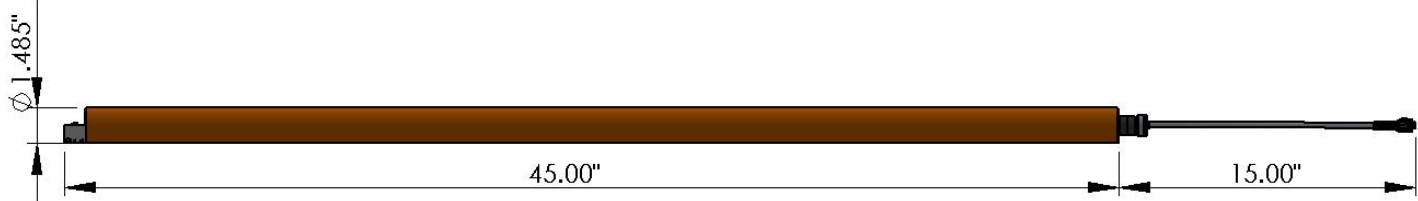
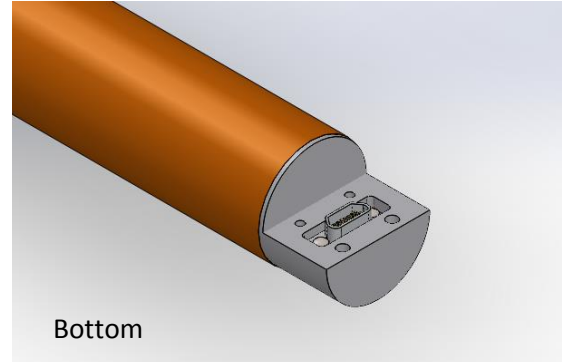
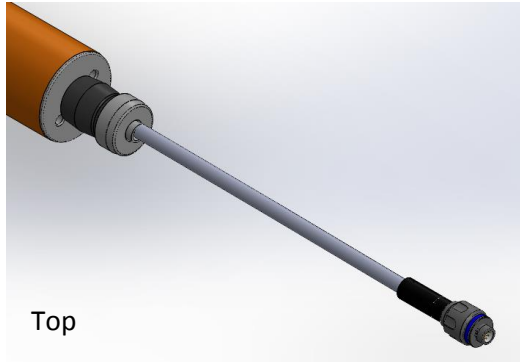
## Battery Specifications

sales@chargerind.com

U.S Office:  
+1 281 586 7161

CDN Office:  
+1 403 208 8173

**CHARGER**  
INDUSTRIES



- **Battery Voltage:** 29 Volt
- **Battery Capacity:** 15- 29 Ah (Actual value depends on the type of cell and temperature rating)
- **Battery Ends:** Top: 10 Pin LEMO Connector  
Bottom: 15 Pin Female MDM Non floating
- **Temperature Range:** 150°C - 200°C
- **Cell Type:** Moderate Rate/High Rate DD

### \*Optional BOLT

BOLT is the newest generation of Charger battery monitors that precisely measures voltage, current, temperature, shock and vibration, both laterally and axially.

sales@chargerind.com

U.S. Office: +1 281 586 7161  
10045 Windfern Road  
Houston, TX 77064

Canadian Office: +1 403 208 8173  
#1, 1352 Hastings Crescent S.E.  
Calgary, AB T2G 4C9

**CHARGER**  
INDUSTRIES

ISO 9001:2015 Certified

ChargerInd.com