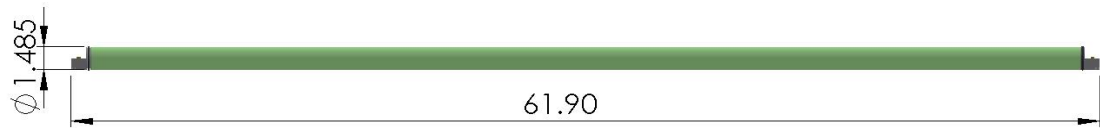
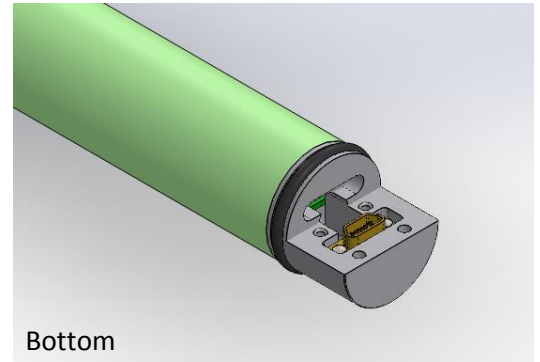
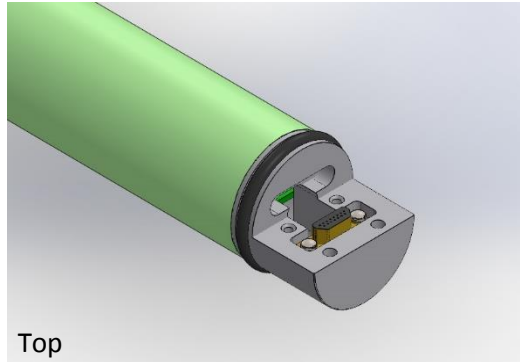


SHAREWELL

Battery Specifications



- **Battery Voltage:** 29 Volts, 14 Volts, 7 Volts
- **Battery Capacity:** 34 - 42Ah (actual value depends on the temperature rating)
- **Battery Ends:** Top: 15 Pin Male MDM floating
Bottom: 15 Pin Female MDM Non floating
- **Temperature Range:** 150°C - 180°C
- **Cell Type:** Moderate Rate DDD

*Optional BOLT

BOLT is the newest generation of Charger battery monitors that precisely measures voltage, current, temperature, shock and vibration, both laterally and axially.

sales@chargerind.com

U.S. Office: +1 281 586 7161
10045 Windfern Road
Houston, TX 77064

Canadian Office: +1 403 208 8173
#1, 1352 Hastings Crescent S.E.
Calgary, AB T2G 4C9



ISO 9001:2015 Certified

ChargerInd.com

U.S Office:
+1 281 586 7161

CDN Office:
+1 403 208 8173

sales@chargerind.com

CHARGER
INDUSTRIES