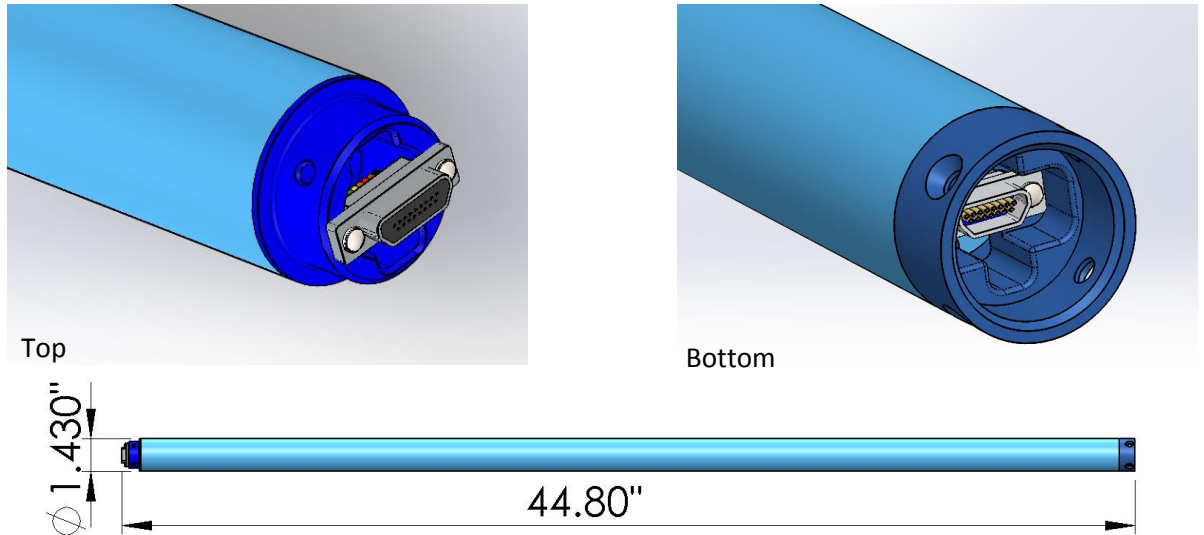


# Extreme Battery Specifications



- **Battery Voltage:** 29 Volts
- **Battery Capacity:** 29 Ah
- **Battery Ends:** Top: 21 Pin Male MDM Floating  
Bottom: 15 Pin Female MDM Non floating
- **Temperature Range:** 150°C
- **Cell Type:** Moderate Rate DD

Sales Inquiry – [sales@chargerind.com](mailto:sales@chargerind.com)

U.S. Office: (281) 586.7161  
16721 Hollister Street Ste L  
Houston, TX 77066 – 1313

Canadian Office: (403) 208-8173  
#1, 1352 Hastings Crescent S.E.  
Calgary, AB T2G 4C9

Charger Industries ISO 9001:2008 Certified



**Charger Industries**  
[www.chargerind.com](http://www.chargerind.com)