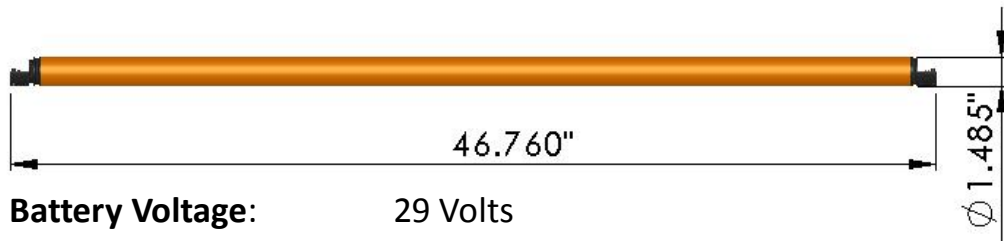
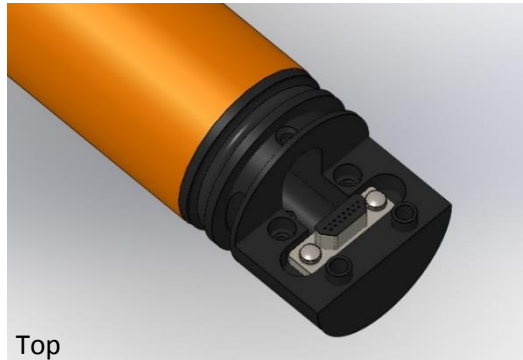


# Bluestar

## Battery Specifications



- **Battery Voltage:** 29 Volts
- **Battery Capacity:** 15 - 29 Ah (Actual value depends on the type of cell and temperature rating)
- **Battery Ends:** Top: 15 Pin Male MDM floating  
Bottom: 15 Pin Female MDM Non floating
- **Temperature Range:** 150°C - 200°C
- **Cell Type:** Moderate Rate/High Rate DD

### \*Optional Oil Tick

The Oil Tick is one of the most precise battery monitors on the market today that measures voltage, current, temperature, shock and vibration both laterally and axially.

Sales Inquiry – [sales@chargerind.com](mailto:sales@chargerind.com)

U.S. Office: (281) 586.7161  
16721 Hollister Street Ste L  
Houston, TX 77066 – 1313

Canadian Office: (403) 208-8173  
#1, 1352 Hastings Crescent S.E.  
Calgary, AB T2G 4C9

Charger Industries ISO 9001:2008 Certified



**Charger Industries**  
[www.chargerind.com](http://www.chargerind.com)