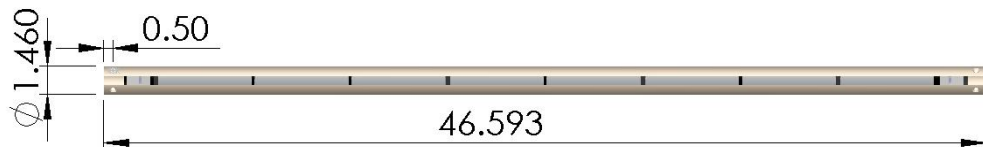
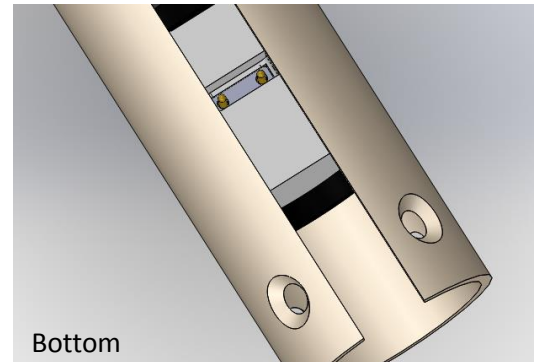
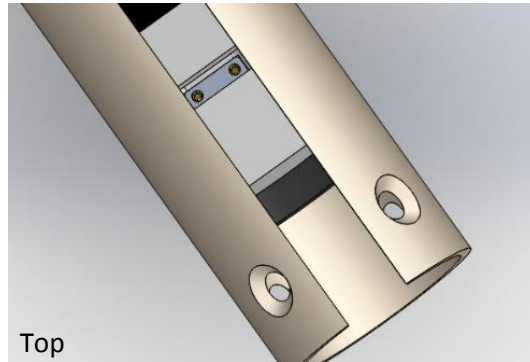


Applied Physics

Battery Specifications



- **Battery Voltage:** 29 Volts
- **Battery Capacity:** 18 - 29Ah (Actual value depends on the type of cell and temperature rating)
- **Battery Ends:** Top: 2 Pole Female Positronic
Bottom: 2 Pole Male Positronic
- **Temperature Range:** 150°C – 165°C
- **Cell Type:** Moderate Rate/High Rate DD

Sales Inquiry – sales@chargerind.com

U.S. Office: (281) 586.7161
16721 Hollister Street Ste L
Houston, TX 77066 – 1313

Canadian Office: (403) 208-8173
#1, 1352 Hastings Crescent S.E.
Calgary, AB T2G 4C9

Charger Industries ISO 9001:2008 Certified



Charger Industries
www.chargerind.com